

SCORPION MONO STINGER™

SCOPE

Scorpion Mono Stinger™ is a PC-based vision sensor. It consists of a low cost industrial camera, illumination and excellent software. It is intended as a building block for OEMs and system integrators. The Scorpion Vision Apps concept provides ready to use industrial solutions for everyone.

Scorpion Stinger™ is a family of machine vision components and products.

Scorpion Stinger™ products have focus on:

- industrial strength
- functionality
- low cost

The Scorpion Mono Stinger™ camera is compatible with all versions of Scorpion Vision Software®.

COMBINATIONS



Mono Stinger Camera



Mono Stinger Camera with Cover



Mono Stinger Sensor

SCORPION MONO STINGER™ CAMERA SPECIFICATION

The Scorpion Mono Stinger™ camera consists of a base, which is converted to an enclosure by adding a cover. Mounted on the base there is a VGA board camera in monochrome or color. The camera has a standard 12 mm lens base. On the cover there are mounting holes for led light SLB brackets. The led can be protected by a plastic window cover. When designing your Mono Stinger unit, select from the list:

ARTICLE	NAME	DESCRIPTION
Base unit		
STG-Mono-Base	Mono Stinger Base	Base and screws to mount the camera
Mono Stingers		
STG-Mono-VGA-Color-N	Mono Stinger VGA Color Camera	Color VGA Camera Firewire 30 fps, N mm plastic lens, includes STG-Mono-Base
STG-Mono-VGA-BW-N	Mono Stinger VGA BW Camera	BW VGA Camera Firewire 30 fps, N mm plastic lens, includes STG-Mono-Base
STG-Mono-Cover	Mono Stinger Cover	The cover is used to close the STG-Mono-Base or the STG-Mono camera.
STG-Mono-Sensor-Color-N	Mono Stinger VGA Color Sensor	STG-Mono-VGA-Color-N plus STG-Mono-Cover, STG-Mono-SLB, STG-LED-DRIVER and STG-Mono-Window
STG-Mono-Sensor-BW-N	Mono Stinger VGA BW Sensor	STG-Mono-VGA-BW-N plus STG-Mono-Cover, STG-Mono-SLB, STG-LED-DRIVER and STG-Mono-Window
	Available lenses	N= 4.3mm, 8mm or 12mm
Mono Stinger Illumination		
STG-Mono-SLB	Mono Stinger LED frame	Frame with 4 x 1.2 Watt white Leds. Frame is mounted onto STG-Mono-Cover.
STG-LED-DRIVER-9W-24V	Mono Stinger Led Driver 9W 24V	Led Driver for STG-MONO-SLB
STG-LED-PWR-12V	Mono Stinger 12V Power	Mono Stinger 12V lab power supply for STG-LED-DRIVER-9W-24V, Current 1A - flying leads
STG-Mono-Window	Mono Stinger Window	Plastic Windows to be mounted on top of STG-Mono-Cover or STG-Mono-SLB
Scorpion Vision Software Apps		
STG-Mono-1D Barcode	Mono Barcode App	Scorpion Mono Stinger Barcode App
STG-Mono-Align	Mono Align Vision App	Object Align license for one Mono Stinger camera features sub-pixel object location.
STG-Mono-Locate	Mono Blob Locate Vision App	Object Blob Locate license for one Mono Stinger features sub-pixel object location.
Scorpion Vision Software		
STG-Mono-Open Source	Mono Open Source	Scorpion OpenSource license for one Mono Stinger camera includes complete scripting support for OpenCV, NumPy and custom image processing library.
STG-Mono-Lite	Mono Lite	Scorpion Lite license for one Mono Stinger.
STG-Mono-Basic	Mono Basic	Scorpion Basic license for one Mono Stinger.
STG-Mono-Basic 3D	Mono Basic 3D	Scorpion Basic 3D license for one Mono Stinger camera includes 3D Basic Option.

The software license is connected to the camera. See the Scorpion Mono Stinger™ pricelist for a complete list of IO units, Firewire accessories and lenses.



SCORPION MONO STINGER™ CAMERA

The Board Camera is a board-level fully operational FireWire 400 Mbps camera, complying with IIDC specification for industrial uncompressed VGA picture acquisition. Built around Texas Instruments 1394 digital camera chipset and Sony® Wfine CCD sensors, it is a high quality subassembly for OEM use.

COMMON FEATURES

- Progressive scanning allows full frame non-interlaced acquisition and shuttering
- 1/4" CCD, progressive, 659(H)x494(V) square pixels, identical horizontal and vertical resolutions
- Pixel size 5,6 um (H) x 5,6 um (V)
- Low smear, high sensitivity, low dark current
- Excellent anti-blooming
- VGA output up to 30 fps
- Continuous variable electronic shutter
- Outstanding low power consumption 0.9 W typical
- Standard lens base M12x0.5

COLOR VERSION FEATURES

- CCD Sony ICX-098BQ
- 640x480 VGA out at 30 fps
- 320x240
- 160x120
- Control of gain, shutter, black level, gamma, sharpness, white balance, color saturation

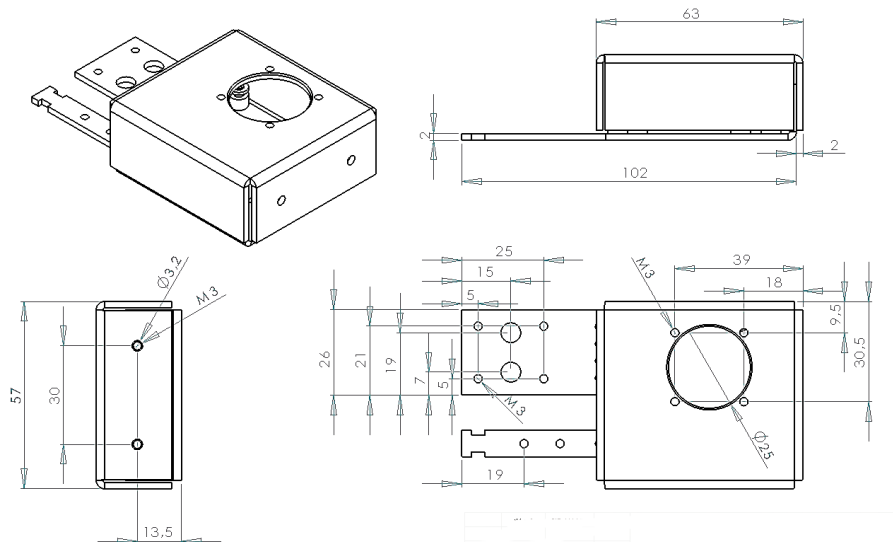
BLACK AND WHITE VERSION FEATURES

- CCD Sony ICX-098BL
- 640x480 VGA out at 30, 15, 7.5, 3.75 fps in Y-8
- control of gain, shutter, black level, gamma, sharpness,

LENS

The lens can have a focal length from 1.9 mm to 50 mm. The standard is 4.3 mm, 8.0 mm or 12.0 mm.

BASE AND COVER DIMENSIONS



For more information:



Tordivel AS
Phone +47 2315 8700
Fax +47 2315 8701
office@tordivel.com
www.scorpionvision.com

Scorpion Stinger™ and Scorpion Mono Stinger™ are trademarks of Tordivel AS.
© 2011 Tordivel AS